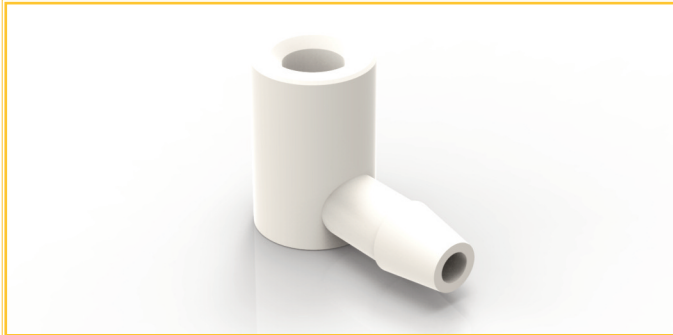




Vibration Pump Accessories

INLET FITTING

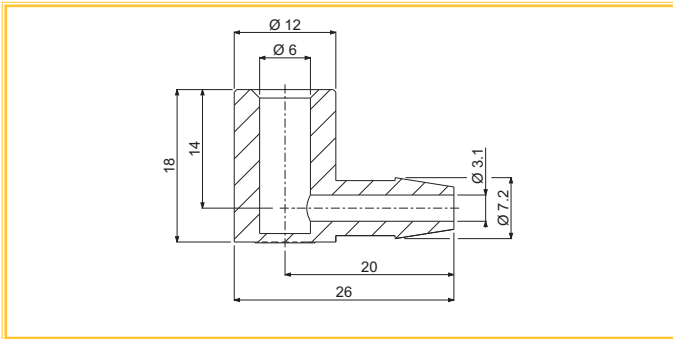


CODE:

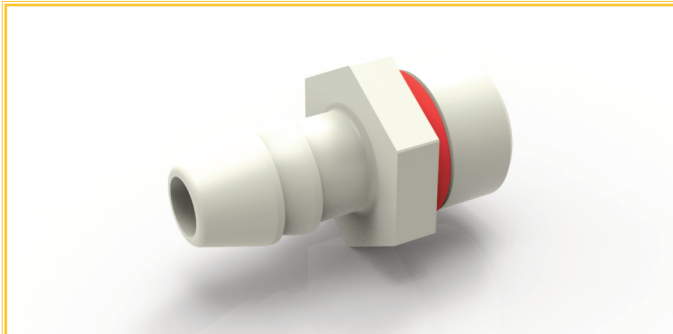
P992485

FEATURES:

Fitting for inlet tube 90° hose connection in TPV.



OUTLET FITTING



CODE:

R992428

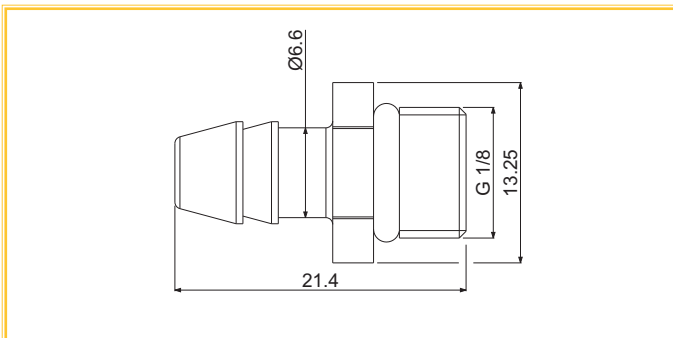
FEATURES:

Fitting for outlet tube from G 1/8 to hose connection.

Materials:

- › Fitting
- › O-Ring

PA66
VMQ



"ODE" reserves the right to carry out technical and aesthetical modifications without prior notice.

PUMP'S BRACKET

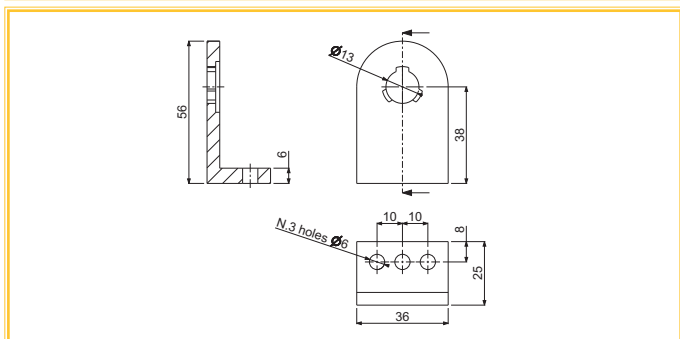


CODE:

P992484

FEATURES:

Bracket for PX and P series pumps made of black Rubber with 3 fixing holes



PRIMING VALVE



CODE:

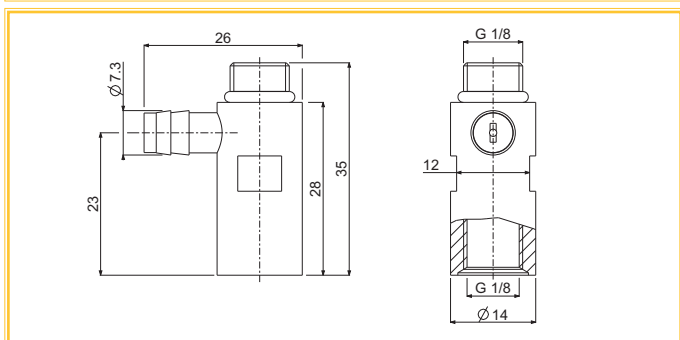
P992401

FEATURES:

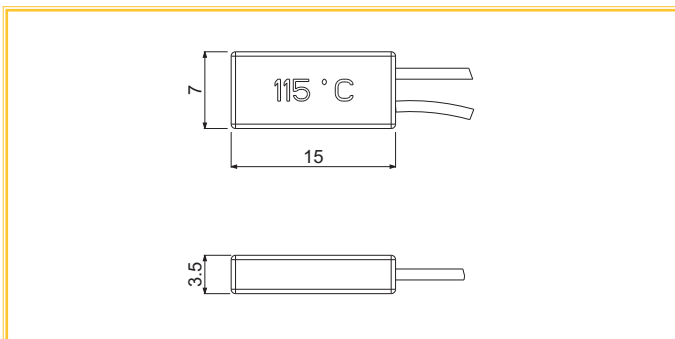
- › Connection G 1/8
- › Closing pressure 3-5 bar
- › Fluid Water
- › Max. ambient temperature 60°C
- › Fluid temperature -10°C + 60°C

Materials:

- › Body PA66 glass filled
- › Seals Silicone/EPDM
- › Metal components AISI series 300



SERIES PX THERMAL PROTECTOR



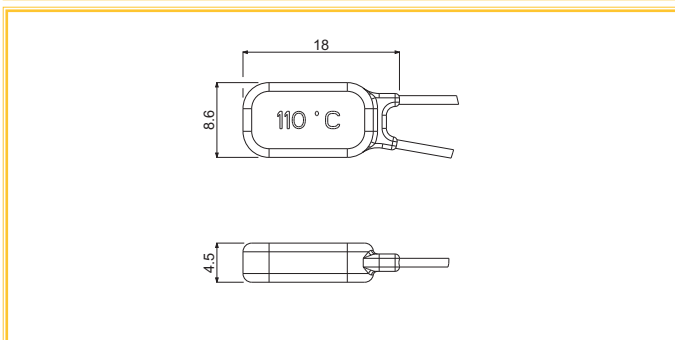
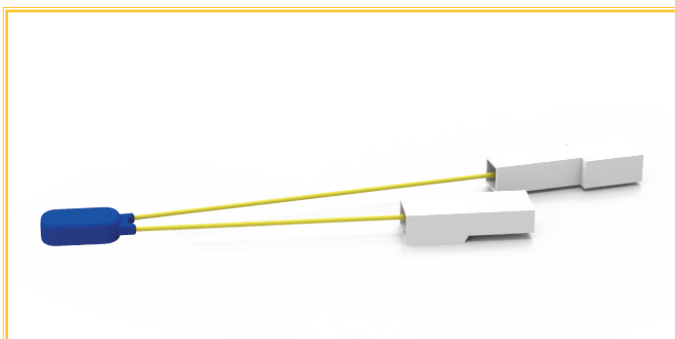
CODE:

P992215

FEATURES:

- › Switching Capacity: 250V/50 Hz | 5 A
- › Minimum current: 50 mA
- › 10.000 cycles 24 VDC | 10A
- › Switching Temperature: 115°C (± 5K)
- › Switching Differential: 10 - 50 k (± 15K)
- › Max. ambient temperature: 160 °C
- › Silicon wires 0.5 mm² length 70 mm, tinned and self-extinguishing
- › Approvals: UL, VDE

THERMAL PROTECTOR SERIES P/PX-G



CODE:

P992503

FEATURES:

- › Switching Capacity: 250V/50 Hz | 2.5 A
- › 10.000 cycles 24 VDC
- › Switching Temperature: 110°C (± 5K)
- › Switching Differential: 30 K (± 15K)
- › Max. ambient temperature: 190 C/1 min.
- › Silicon wires 0.5 mm² length 70/9 mm, with faston
- › Approvals: UL, VDE

"ODE" reserves the right to carry out technical and aesthetical modifications without prior notice.