



# Solenoid valve 3/2 way N.C. Direct acting

31A3AR10  
÷  
31A2AR25

## PRESENTATION:

Direct acting S.V. for interception of fluids compatible with the construction materials.

Minimum operational pressure is not required.

The materials used and the tests carried out ensure maximum reliability and duration.

**USE:** Automation  
Heating

**COILS:** G 1/8 - G 1/4

**PIPES:** 8W - Ø 13  
BDA - BSA 155°C (class F)  
BDV 180°C (class H)

**COIL HOUSING AND COIL FORMER MATERIAL ARE MADE BY 100% VIRGIN MATERIAL.**

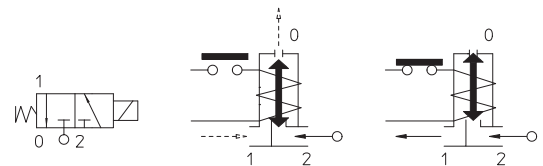
Max. allowable pressure (PS) 40 bar

Ambient temperature:

See coils catalogue page for its compatibility.



Gaskets	Temperature		Medium
R=RUBY	- 40°C	+ 180°C	Steam, water, mineral oils (2°E), gas oil, fuel oils (7°E)



Pipe ISO 228/1	Code	Max viscosity		Ø mm	Kv l/mn	Power watt	Pressure			
		cSt	°E				min bar	M.O.P.D.		
								AC bar	DC bar	
G 1/8	31A3AR10	12	~ 2	1*	0,45	8	0	20	20	
	31A3AR15			15				15		
	31A3AR20	37	~ 5	2*				2	10	10
	31A3AR25	53	~ 7	2,5*				3,2	6	6
G 1/4	31A2AR10	12	~ 2	1*	0,45	8	0	20	20	
	31A2AR15			15				15		
	31A2AR20	37	~ 5	2*				2	10	10
	31A2AR25	53	~ 7	2,5*				3,2	6	6

## Note

\* 3rd way exhaust= Ø 2,5 mm

Also available with brass body without lead.

The use of rigid sealings usually implies a slight leakage, limited within 2scc/min at the pressure of 1 bar.

The "ODE " reserves the right to carry out technical and aesthetic modifications without prior notice.

### MATERIALS:

<b>Body</b>	Brass - UNI EN 12165 CW617N
<b>Armature tube</b>	Stainless steel AISI series 300
<b>Fixed core</b>	Stainless steel AISI series 400
<b>Plunger</b>	Stainless steel AISI series 400
<b>Phase displacement ring</b>	Copper - Cu 99,9%
<b>Spring</b>	Stainless steel AISI series 300
<b>Seal</b>	R=RUBY
<b>Orifice: Insert slot</b>	Stainless steel AISI series 300

### On request:

<b>Connector</b>	Pg 9 or Pg 11
<b>Connector conformity</b>	ISO 4400

### FEATURES:

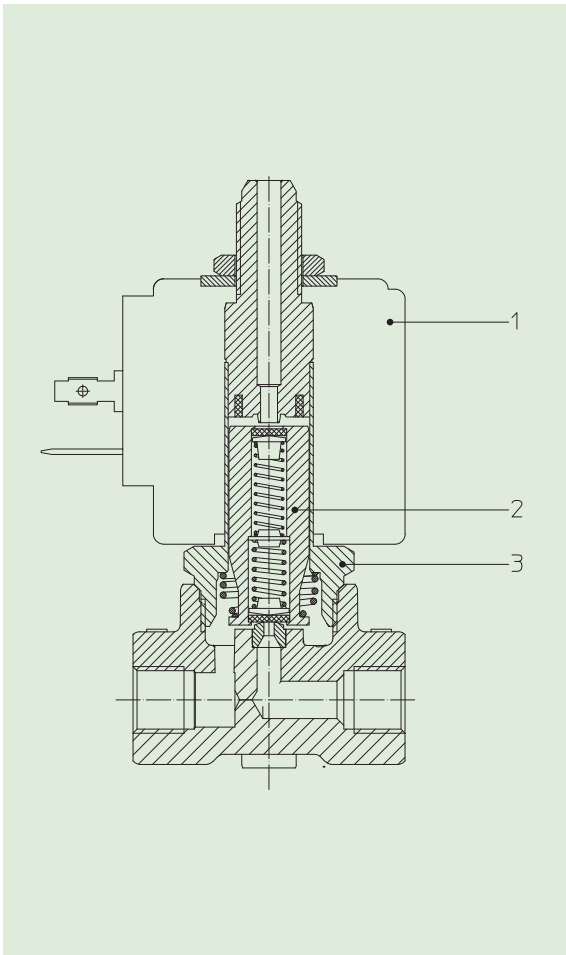
<b>Electrical conformity</b>	IEC 335
<b>Protection degree</b>	IP 65 EN 60529 (DIN 40050) with coil fitted by connector

### SPARE PARTS:

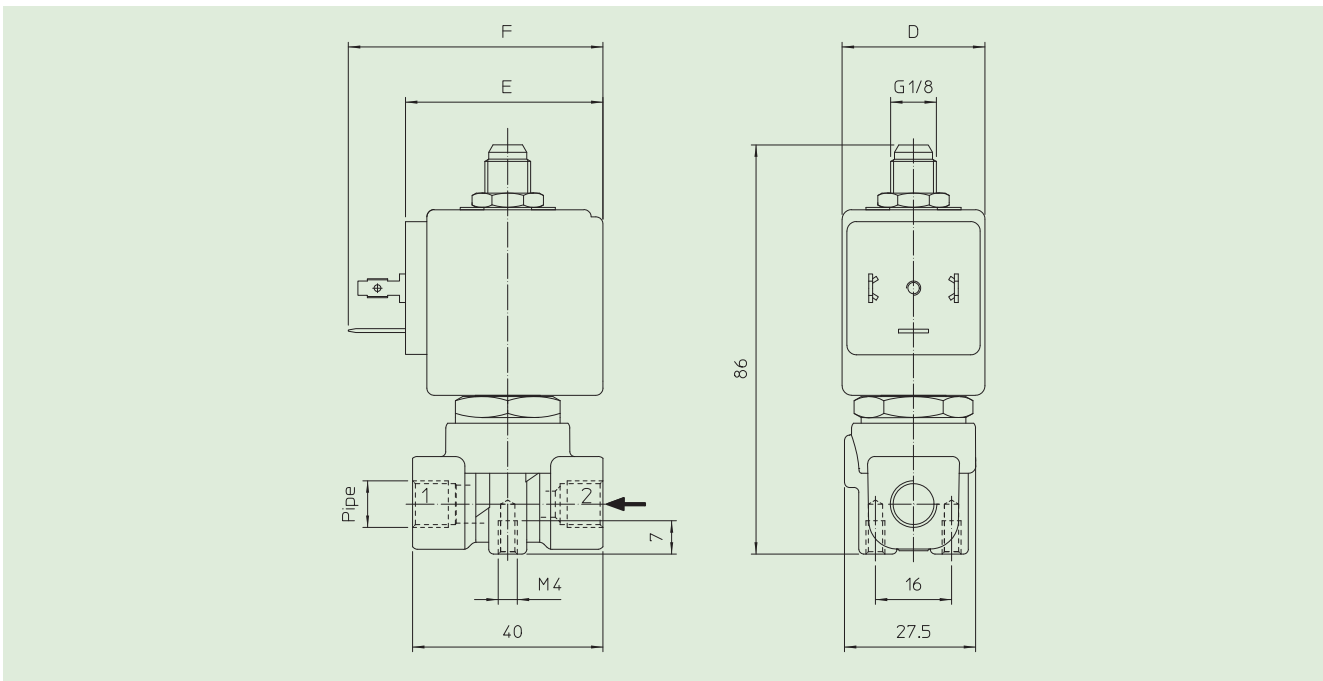
- Coil:**  
See coils list
- Complete plunger:**  
Code R450873
- Complete armature tube:**  
Code R450944/AL

### KIT:

KT130AR30-A=2+3



### DIMENSIONS:



Type	Pipe ISO 228/1
31A3AR	G 1/8
31A2AR	G 1/4

COIL TYPE	POWER ABSORPTION			DIMENSIONS		
	W ---	Hold VA ~	Inrush VA ~	D mm	E mm	F mm
B	8	14,5	25	30	42	54