



Solenoid valve 2/2 way N.C. With pilot control

21WA3K0V130

÷

21WA4K0V130

PRESENTATION:

S.V. with pilot control for interception of fluids compatible with the construction materials.

A minimum operational pressure of 0,2 bar is required.

The materials used and the tests carried out ensure maximum reliability and duration.

USE: Automation
Heating

PIPES: G 3/8 - G 1/2

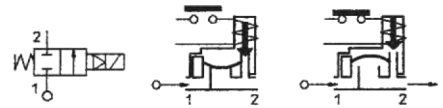
COILS: 8W - Ø 13
 BDA -BDS - BSA 155°C (class F)
 BDP 160°C (high temperature)
 BDF 180°C (class H)
 SDH 180°C (class H)

Max. allowable pressure (PS) 20 bar
 Environment temperature:
 with class F or high temperature coils - 10°C + 60°C
 with class H coil - 10°C + 80°C

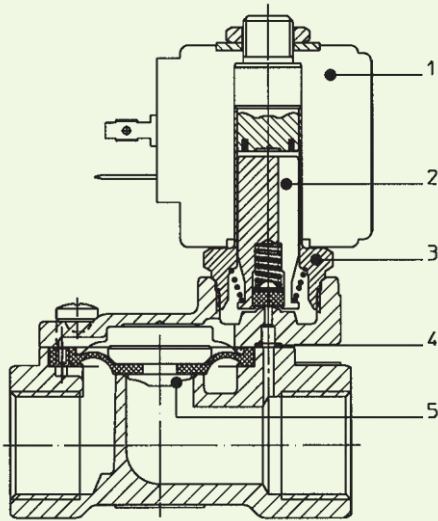


Gaskets	Temperature		Medium
B=NBR (nitrile rubber)	- 10°C	+ 90°C	Air, inert gas, water
V=FKM (fluoroelastomer)	- 10°C	+140°C	mineral oils (2°E),gasoline gas oil

For seals other than NBR replace the letter "B" with the ones corresponding to the other seals. E.I. 21WA3K0V130.



Pipe ISO 228/1	Code	Max viscosity		Ø mm	Kv (l/mn)	Power (watt)	Pressure		
		cSt	°E				min	M.O.P.D.	
							bar	AC bar	DC bar
G 3/8	21WA3K0V130	12	~ 2	13	60	8	0,2	16	16
G 1/2	21WA4K0V130				70				



MATERIALS:

Body Brass - UNI EN 12165 CW617N
 Armature tube Stainless steel AISI series 300
 Fixed core Stainless steel AISI series 400
 Plunger Stainless steel AISI series 400
 Phase displacement ring Copper - Cu 99,9%
 Spring Stainless steel AISI series 300
 Seal Standard: B=NBR
 On request: V=FKM
 Orifice Brass - UNI EN 12165 CW617N

On request:
 Connector Pg 9 or Pg 11
 Connector conformity ISO 4400

FEATURES:

Electrical conformity IEC 335
 Protection degree IP 65 EN 60529 (DIN 40050)
 with coil fitted by connector.

SPARE PARTS:

1. Coil:
See coils list
2. Complete plunger:
Code R450886/V
3. Complete armature tube:
Code R450606
4. Gasket O-Ring:
Code R990300/V
5. Complete diaphragm:
Code R452186/V

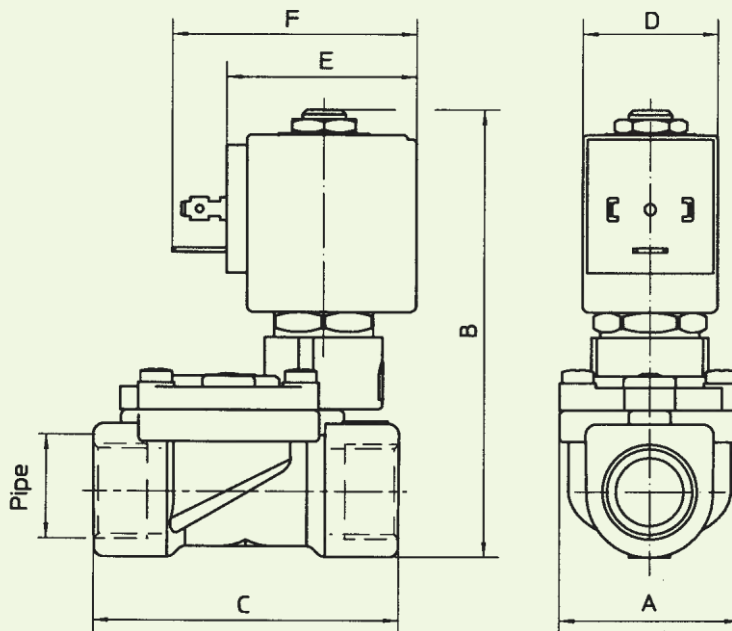
KIT:

KT130KV30-A=2+3

MAINTENANCE KIT:

KTGWA3K0V13=2+4+5

DIMENSIONS:



Type	Pipe ISO 228/1	A mm	B mm	C mm
21WA3K0B130	G 3/8	40	97	60
21WA4K0B130	G 1/2			66

COIL	POWER ABSORPTION		TYPE	DIMENSIONS		
	Inrush VA ~	Hold VA ~		D mm	E mm	F mm
8 W	25	14,5	B	30	42	54
			S	32		