



Solenoid valve 2/2 way N.C. With pilot control

21W3KV190
÷
21W7KE500

PRESENTATION:

S.V. with pilot control for interception of fluids compatible with the construction materials.

A minimum operational pressure of 0,2 bar is required.

The materials used and the tests carried out ensure maximum reliability and duration.

USE: Automation
Heating

PIPES: G 3/4 - G 2

COILS: 8W - Ø 13
 BDA -BDS - BSA 155°C (class F)
 BDP 160°C (high temperature)
 BDF 180°C (class H)
 SDH 180°C (class H)



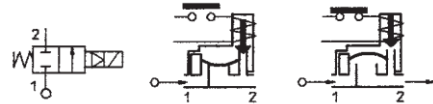
Max. allowable pressure (PS)

G 3/4 - G 1 25 bar
 G 1 1/4 - G 2 16 bar

Environment temperature:
 with class F or high temperature coils - 10°C + 60°C
 with class H coil - 10°C + 80°C

Gaskets	Temperature		Medium
B=NBR (nitrile rubber)	- 10°C	+ 90°C	Air, inert gas, water
E=EPDM (ethylene-propylene)	- 10°C	+140°C	Water, low pressure steam
V=FKM (fluoroelastomer)	- 10°C	+140°C	mineral oils (2°E), gasoline gas oil

For seals other than NBR replace the letter "B" with the ones corresponding to the other seals. E.I. 21W3KE120.



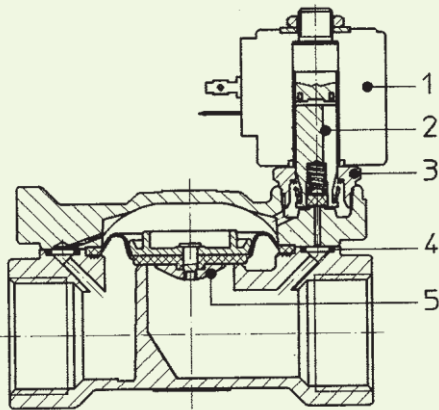
Pipe ISO 228/1	Code	Max viscosity		Ø mm	Kv (l/mn)	Power (watt)	Pressure		
		cSt	°E				min bar	M.O.P.D.	
							AC bar	DC bar	
G 3/4	21W3KV190	12	~ 2	19	140	8	0,2	16	16
G 1	21W4KV250			25	190				
G 1 1/4	21W5KV350			35	400				
G 1 1/2	21W6KV400			40	520				
G 2	21W7KE500			50	750				



CE Approval
 (Pressure Equipment Directive 97/23/CE)

for S.V. 21W5÷21W7

The "ODE" reserves the right to carry out technical and aesthetic modifications without prior notification.



MATERIALS:

Body Brass - UNI EN 12165 CW617N
 Armature tube Stainless steel AISI series 300
 Fixed core Stainless steel AISI series 400
 Plunger Stainless steel AISI series 400
 Phase displacement ring Copper - Cu 99,9%
 Spring Stainless steel AISI series 300
 Seal Standard: B=NBR
 On request: E=EPDM V=FKM
 Orifice Brass - UNI EN 12165 CW617N

On request:
 Connector Pg 9 or Pg 11
 Connector conformity ISO 4400

FEATURES:

Electrical conformity IEC 335
 Protection degree IP 65 EN 60529 (DIN 40050)
 with coil fitted by connector.

SPARE PARTS:

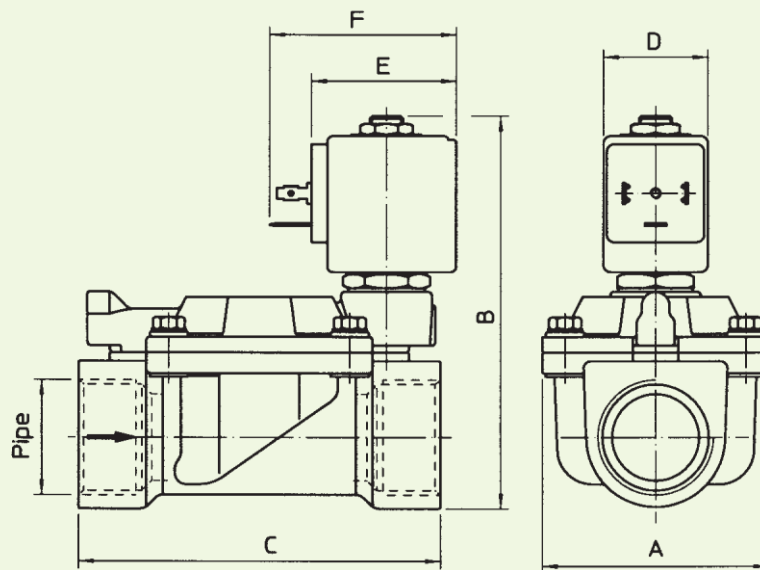
1. Coil:
See coils list
2. Complete plunger:
Code R450886/V
3. Complete armature tube:
Code R450606
4. Gasket O-Ring:
G 3/4-G 1 Code R990002/V
G 1 1/4-G 1 1/2 Code R990005/V
G 2 Code R990081/E
5. Complete diaphragm:
G 3/4-G 1 Code R450431/V
G 1 1/4-G 1 1/2 Code R450466/V
G 2 Code R450432/E

KIT:

KT130KB30-A=2+3

MAINTENANCE KIT:

DIMENSIONS:



Type	Pipe ISO 228/1	A mm	B mm	C mm
21W3KB190	G 3/4	65	105	104
21W4KB250	G 1		112	
21W5KB350	G 1 1/4	98	125	144
21W6KB400	G 1 1/2			
21W7KB500	G 2	118	141	172

COIL	POWER ABSORPTION		TYPE	DIMENSIONS		
	Inrush VA ~	Hold VA ~		D mm	E mm	F mm
8 W	25	14,5	B	30	42	54
			S	32		