



# COILS 30 mm x Ø 13 mm

BDA08012AS

÷

BDV08230AY

COIL **BDA**  
**BDV**

Coil housing material: PA - Black polyamide - class F (155°C)

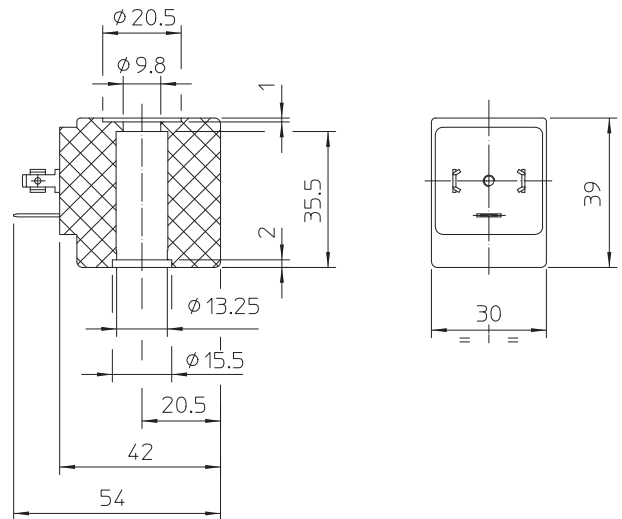
Coil housing material: PET - Black polyethylene - class H (180°C)

Winding: In class H

Electrical connections: With connector EN 175301-803 paragraph 5.3.1

Protection degree IP 65 EN 60529 (DIN 40050)

**COIL HOUSING AND COIL FORMER MATERIAL ARE MADE BY 100% VIRGIN MATERIAL.**



## MATERIAL ON STOCK:

Code	Power	Voltages Frequency	ED	Ambient temperature	Approvals
BDA08012AS	14,5 VA	12 ~ 50	100%	- 10°C + 40°C	CE
BDA08012CS	8 W	12 ==	100%	- 10°C + 40°C	CE
BDA08024AS	14,5 VA	24 ~ 50	100%	- 10°C + 40°C	CE
BDA08024CS	8 W	24 ==	100%	- 10°C + 40°C	CE
BDA08024DS	14,5 VA	24 ~ 50/60	100%	- 10°C + 40°C	CE
BDA08048AS	14,5 VA	48 ~ 50	100%	- 10°C + 40°C	CE
BDA08110DS	14,5 VA	110 ~ 50/60	100%	- 10°C + 40°C	CE
BDA08115BS	14,5 VA	115 ~ 60	100%	- 10°C + 40°C	CE
BDA08200DS	14,5 VA	200 ~ 50/60	100%	- 10°C + 40°C	CE
BDA08223DS	14,5 VA	220/230 ~ 50/60	100%	- 10°C + 40°C	CE
BDA08230CS	8 W	230 ==	100%	- 10°C + 40°C	CE
BDA08240AS	14,5 VA	240 ~ 50	100%	- 10°C + 40°C	CE
BDA08380DS	14,5 VA	380 ~ 50/60	100%	- 10°C + 40°C	CE

The "ODE" reserves the right to carry out technical and aesthetic modifications without prior notice.

**BDA08012AS**

÷

**BDV08230AY**

Code	Power	Voltages Frequency	ED	Ambient temperature	Approvals
<b>BDV08012CY</b>	11 W	12 ==	100%	- 20°C + 60°C	<b>CE - UL - CSA - VDE</b>
<b>BDV08024CY</b>	11 W	24 ==	100%	- 20°C + 60°C	<b>CE - UL - CSA - VDE</b>
<b>BDV08024DY</b>	17 VA	24 ~ 50/60	100%	- 20°C + 60°C	<b>CE - UL - CSA - VDE</b>
<b>BDV08110AY</b>	15 VA	110 ~ 50 120 ~ 60	100%	- 20°C + 60°C	<b>CE - UL - CSA - VDE</b>
<b>BDV08110CS</b>	8 W	110 ==	100%	- 20°C + 40°C	<b>CE</b>
<b>BDV08110BW</b>	25 VA	110 ~ 60	100%	- 20°C + 40°C	<b>CE - UL - CSA</b>
<b>BDV08230AY</b>	16 VA	230 ~ 50 240 ~ 60	100%	- 20°C + 60°C	<b>CE - UL - CSA - VDE</b>

**NOMINAL VOLTAGES** DC + 10% - 5%  
**TOLERANCES:** AC + 10% - 15%

The power values are indicative, as they change as a function of magnetic kit used and of the application sector of reference | Other voltages and power absorptions available on demand and for quantities.