



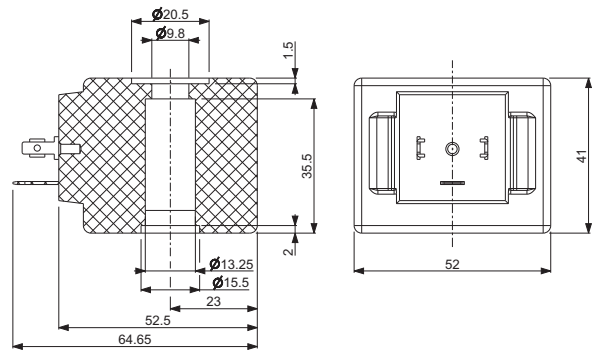
COILS 52 mm x Ø 13 mm

GDH14012CS
 ÷
GDV14230AY

COIL **GDH** Coil housing material: PPS - Black polyphenylene sulfide - class N (200°C)
GDV Coil housing material: PET - Black Polyethylene - class H (180°C)

Winding: In class N
Electrical connections: With connector EN 175301-803 paragraph 5.3.1
 Protection degree IP 65 EN 60529 (DIN 40050)

COIL HOUSING AND COIL FORMER MATERIAL ARE MADE BY 100% VIRGIN MATERIAL.



MATERIAL ON STOCK:

Code	Power	Voltages Frequency	ED	Ambient temperature	Approvals
GDH14012CS	23 W	12 \equiv	100%	- 20 + 40°C	CE
GDH14024CS	24 W	24 \equiv	100%	- 20 + 40°C	CE
GDV14012CY	14 W	12 \equiv	100%	- 20 + 60°C	CE - UL - CSA - VDE
GDV14024CY	14 W	24 \equiv	100%	- 20 + 60°C	CE - UL - CSA - VDE
GDV14024DY	27 VA	24 \sim 50/60	100%	- 20 + 60°C	CE - UL - CSA - VDE
GDV14048DS	26 VA	48 \sim 50/60	100%	- 20 + 40°C	CE
GDH14220CS	14 W	220 \equiv	100%	- 20 + 40°C	CE
GDV14230AY	31 VA	230 \sim 50 240 \sim 60	100%	- 20 + 60°C	CE - UL - CSA - VDE

NOMINAL VOLTAGE TOLERANCES:
 DC +10% - 5%
 AC +10% - 15%

The power values are indicative, as they change as a function of magnetic kit used, from ambient temperature and of the application sector of reference | Other voltages and power absorptions available on demand and for quantities.

The "ODE " reserves the right to carry out technical and aesthetic modifications without prior notice.