



# COILS 36 mm x Ø 13 mm

UDA12024AS

÷

UDV16024CY

COIL

**UDA**  
**UDV**

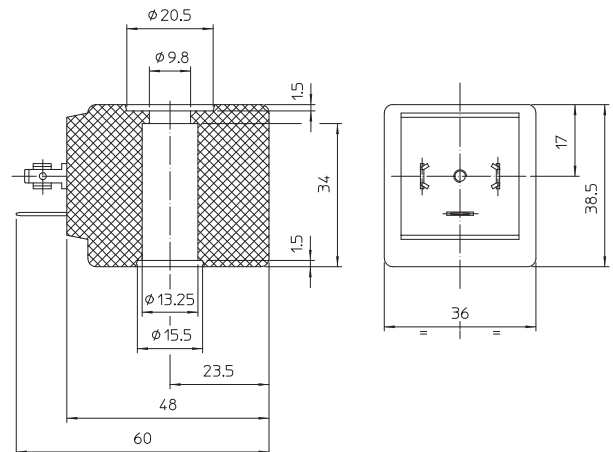
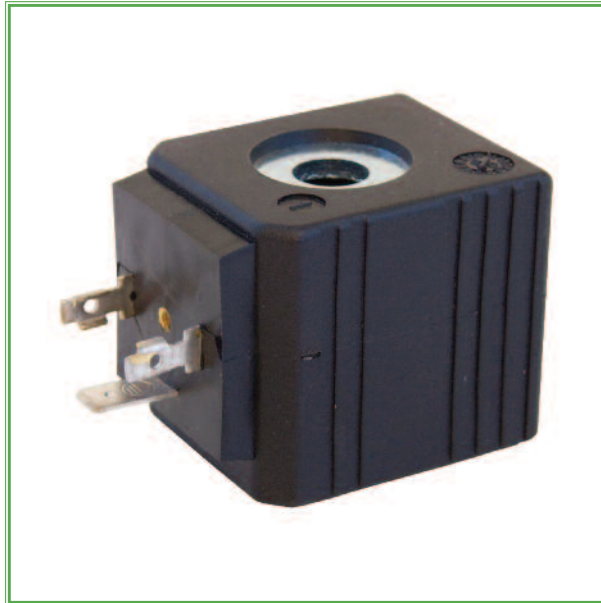
**Coil housing material:** PA - Black polyamide - class F (155°C)

**Coil housing material:** PET - Black Polyethylene - class H (180°C)

**Winding:** In class H

**Electrical connections:** With connector EN 175301-803 paragraph 5.3.1  
Protection degree IP 65 EN 60529 (DIN 40050)

**COIL HOUSING AND COIL FORMER MATERIAL ARE MADE BY 100% VIRGIN MATERIAL.**



## MATERIAL ON STOCK:

| Code       | Power | Voltages<br>Frequency | ED   | Ambient<br>temperature | Approvals           |
|------------|-------|-----------------------|------|------------------------|---------------------|
| UDA12024AS | 23 VA | 24 ~ 50               | 100% | - 10°C + 40°C          | CE                  |
| UDA12024CS | 12 W  | 24 ~                  | 100% | - 10°C + 40°C          | CE                  |
| UDA12110DS | 23 VA | 110 ~ 50/60           | 100% | - 10°C + 40°C          | CE                  |
| UDA12230AS | 23 VA | 230 ~ 50              | 100% | - 10°C + 40°C          | CE                  |
| UDV12024CY | 13 W  | 24 ~                  | 100% | - 20°C + 60°C          | CE - UL - CSA - VDE |
| UDV12112DW | 23 VA | 110/120 ~ 50/60       | 100% | - 20°C + 40°C          | CE - UL - CSA       |
| UDV12230AY | 17 VA | 230 ~ 50<br>240 ~ 60  | 100% | - 20°C + 60°C          | CE - UL - CSA - VDE |
| UDV12230DW | 25 VA | 230 ~ 50/60           | 100% | - 20°C + 40°C          | CE - UL - CSA       |
| UDV16024CY | 16 W  | 24 ~                  | 100% | - 20°C + 40°C          | CE - UL - CSA - VDE |

**NOMINAL VOLTAGES** DC + 10% - 5%  
**TOLERANCES:** AC + 10% - 15%

The power values are indicative, as they change as a function of magnetic kit used and of the application sector of reference | Other voltages and power absorptions available on demand and for quantities.

The "ODE" reserves the right to carry out technical and aesthetic modifications without prior notice.