



Solenoid valve 2/2 way N.C. modular With pilot control

4743K0V120

PRESENTATION:

S.V. with pilot control for interception of fluids compatible with the construction materials.

A minimum operational pressure of 0,1 bar is required.

The materials used and the tests carried out ensure maximum reliability and duration.

USE: Car wash

PIPES: Inlet flange - G 1/2 outlet

COILS: 8W - Ø 13
 BDA - BSA 155°C (class F)
 BDV 180°C (class H)
 12W - Ø 13
 UDA 155°C (class F)

COIL HOUSING AND COIL FORMER MATERIAL ARE MADE BY 100% VIRGIN MATERIAL.

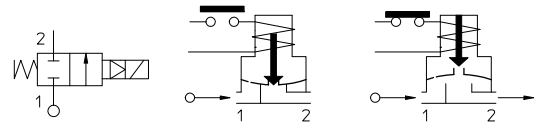
Max. allowable pressure (PS) 20 bar

Ambient temperature:

See coils catalogue page for its compatibility.



Gaskets	Temperature		Medium
V=FKM (fluoroelastomer)	- 10°C	+140°C	Water



Pipe	Code	Max viscosity		Ø mm	Kv l/mn	Power (watt)	Pressure		
		cSt	°E				min bar	M.O.P.D.	
								AC bar	DC bar
FLANGE	4743K0V120	12	~ 2	12	40	8 12	0,1	16 -	10 16

Note

Available on request and with minimum quantities.

The "ODE" reserves the right to carry out technical and aesthetic modifications without prior notice.

4743 version with screwed armature tube

MATERIALS:

Body	Brass - UNI EN 12165 CW617N
Armature tube	Stainless steel AISI series 300
Fixed core	Stainless steel AISI series 400
Plunger	Stainless steel AISI series 400
Phase displacement ring	Copper - Cu 99,9%
Spring	Stainless steel AISI series 300
Seal	V=FKM
Orifice	Brass - UNI EN 12165 CW617N

On request:

Connector	Pg 9 or Pg 11
Connector conformity	ISO 4400

FEATURES:

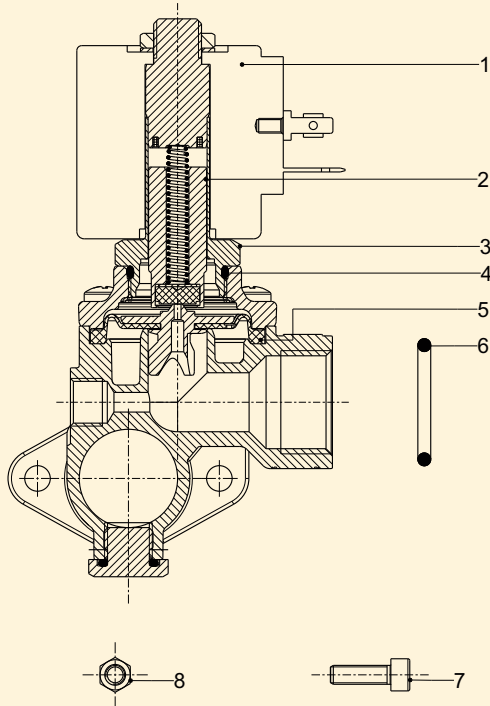
Electrical conformity	IEC 335
Protection degree	IP 65 EN 60529 (DIN 40050) with coil fitted by connector.

SPARE PARTS:

1. Coil: See coils list	6. Gasket O-Ring: Code 990146/V
2. Complete plunger: Code R451284/V	6. Screw M5x16: Code R990455
3. Complete armature tube: Code R450603	7. Nut M5x4: Code R990468
4. Gasket O-Ring: Code R990000/VX	
5. Complete diaphragm: Code R453704/V	

MAINTENANCE KIT:

KTG0H7KV12-2=2+5

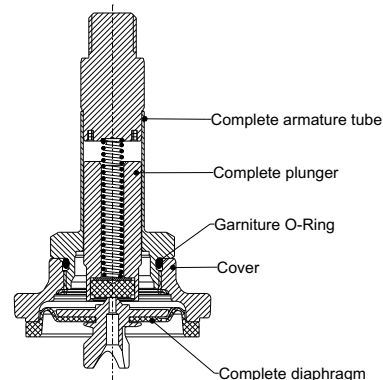


4743 assembly version with cover and armature tube braze-welded (discontinued)

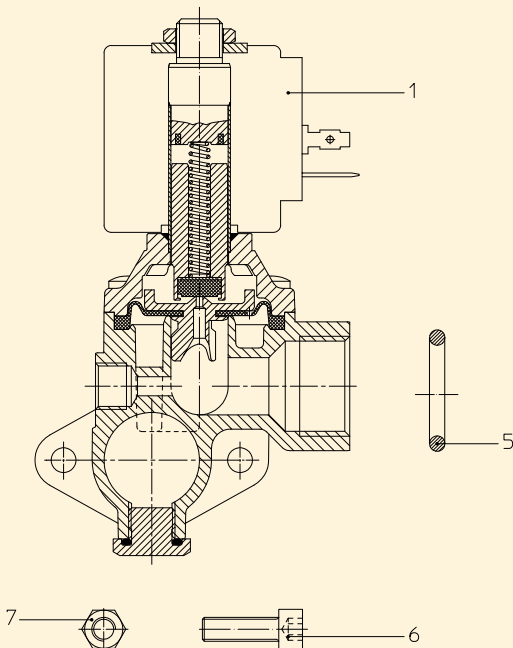
SPARE PARTS:

1. Coil: See coils list	MAINTENANCE TRASFORMATION KIT: KTEH7K0V12
5. Gasket O-Ring: Code 990146/V	
6. Screw M5x16: Code R990455	
7. Nut M5x4: Code R990468	

IN CASE OF REPLACEMENT OF THE COMPLETE DIAPHRAGM,
IT IS NECESSARY TO REPLACE THE FOLLOWING COM-
PONENTS:

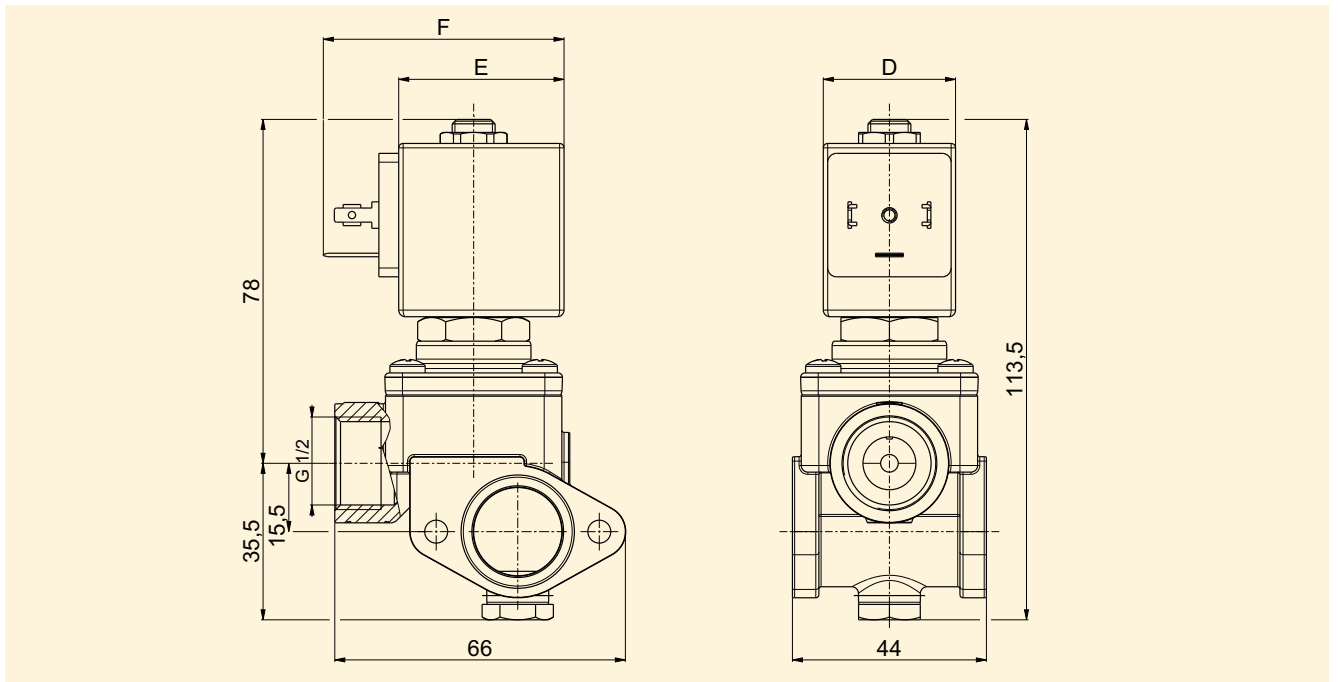


THE S.V. WITH BRAZE-WELDED COVER WILL BE TRAN-
SFORMED INTO S.V. WITH SCREW-ON COVER



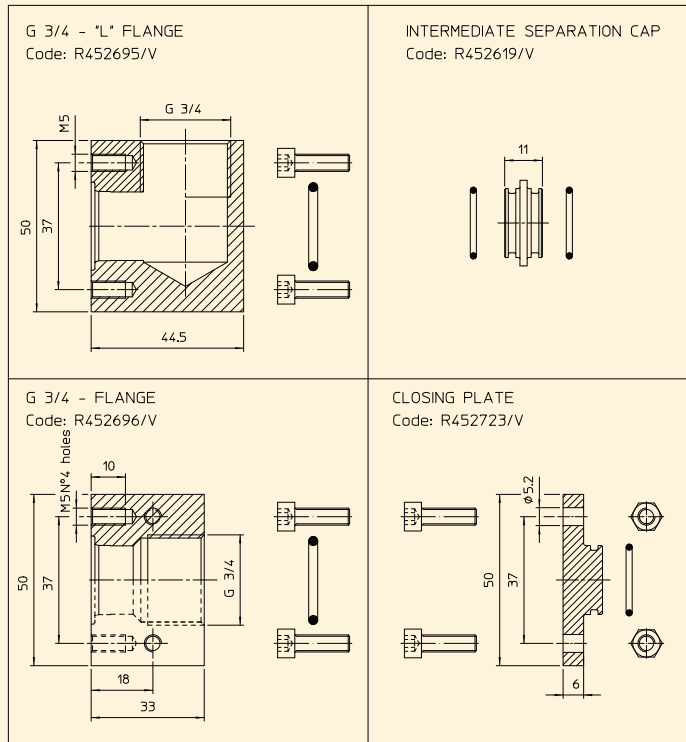


DIMENSIONS:



COIL TYPE	POWER ABSORPTION			DIMENSIONI		
	W =	Hold VA ~	Allo spunto VA ~	D mm	E mm	F mm
B	8	14,5	25	30	42	54
U	12	23	35	36	48	60

ACCESSORIES:



SOLENOID VALVE CODING WITH ACCESSORIES:

