



# Solenoid piston valve 2/2 way N.C. pilot control

4966K0Q120

## PRESENTATION:

S.V. with pilot control for interception of fluids compatible of air and water.

A minimum operational pressure of 3 bar is required.

The materials used and the tests carried out ensure maximum reliability and duration.

USE: Automation

PIPES: G 1/2

COIL: 8W - Ø 13  
 BDA - BSA 155°C (class F)  
 BDV 180°C (class H)  
 12W - Ø 13  
 UDA 155°C (class F)  
 UDV 180°C (class H)

**COIL HOUSING AND COIL FORMER MATERIAL ARE MADE BY 100% VIRGIN MATERIAL.**

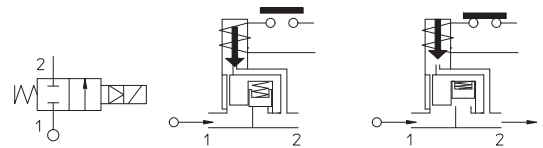
Max. allowable pressure (PS) 100 bar

Ambient temperature:

See coils catalogue page for its compatibility.



Gaskets	Temperature		Medium
	- 20°C	+95°C	
Q=PBT Glassfiber reinforced (Polibutilenterfialato)			Air, water



Pipe ISO 228/1	Code	Max viscosity		Ø mm	Kv l/mn	Power watt	Pressure		
		cSt	°E				min bar	M.O.P.D.	
								AC bar	DC bar
G 1/2	4966K0Q120	12	~ 2	12	60	8 12	3	100	90 100

## Note.

Available on request and with minimum quantities.

The "ODE" reserves the right to carry out technical and aesthetic modifications without prior notice.

## MATERIALS:

<b>Body</b>	Brass - UNI EN 12164 CW614N
<b>Armature tube</b>	Stainless steel AISI series 300
<b>Fixed core</b>	Stainless steel AISI series 400
<b>Plunger</b>	Stainless steel AISI series 400
<b>Phase displacement ring</b>	Copper - Cu 99,9%
<b>Spring</b>	Stainless steel AISI series 300
<b>Piston Seal</b>	PTFE modified
<b>Main seal</b>	Q=PBT
<b>Orificie</b>	Brass - UNI EN 12164 CW614N

## On request:

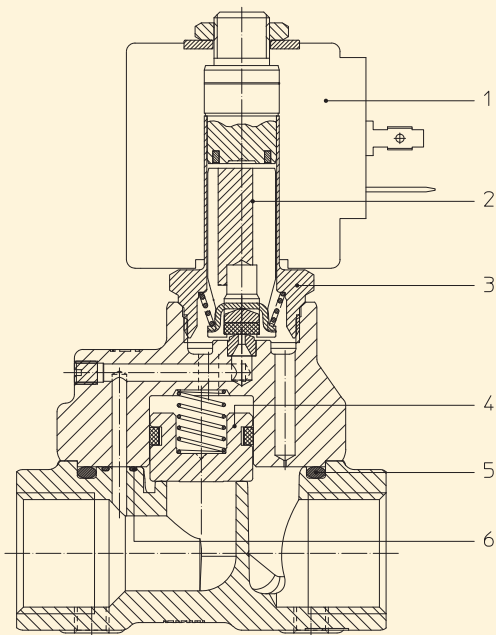
<b>Connector</b>	Pg 9 o Pg 11
<b>Connector conformity</b>	ISO 4400

## FEATURES:

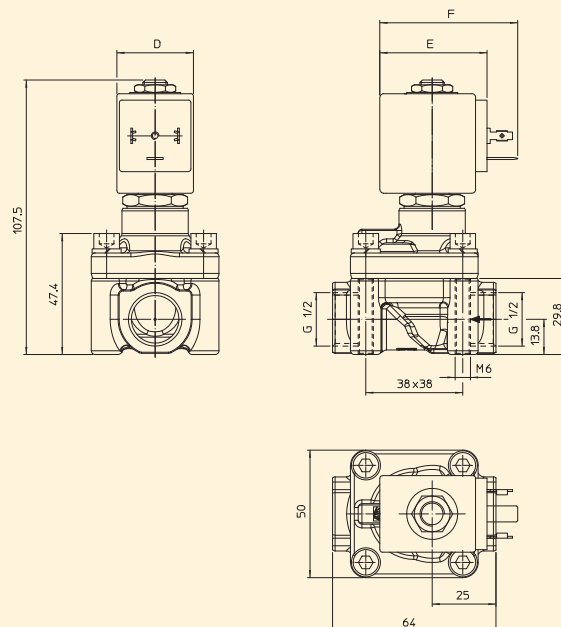
<b>Electrical conformity</b>	IEC 335
<b>Protection degree</b>	IP 65 EN 60529 (DIN 40050) with coil fitted by connector.

## SPARE PARTS:

- |   |                                 |
|---|---------------------------------|
| <b>1. Coil:</b><br>See coils list                 | <b>KIT:</b><br>KT130K730-AP=2+3 |
| <b>2. Complete plunger:</b><br>Code R450897       | <b>MAINTENANCE KIT:</b>         |
| <b>3. Complete armature tube:</b><br>Code R450606 | KTP4966K0Q12= 2+4+5+6           |
| <b>4. Complete piston:</b><br>Code R452744        |                                 |
| <b>5. Gasket O-Ring:</b><br>Code R992130/B        |                                 |
| <b>6. Gasket O-Ring:</b><br>Code R990382/B        |                                 |



## DIMENSIONS:



COIL TYPE	POWER ABSORPTION			DIMENSIONS		
	W =	Hold VA ~	Inrush VA ~	D mm	E mm	F mm
B	8	14,5	25	30	42	54
U	12	23	35	36	48	60