



Solenoid valve 3/2 way N.C. Direct acting - Hose connection exhaust

31JL1XP1V12
÷
31JL1XP1V12-PB

PRESENTATION:

Direct acting S.V. for interception of fluids compatible with the construction materials.

Minimum operational pressure is not required.

The materials used and the tests carried out ensure maximum reliability and duration.

USE: Automation
Heating

PIPES: G 1/8

COIL: 5W - Ø 10
LBA 155°C (class F)
LBF - LBV 180°C (class H)

COIL HOUSING AND COIL FORMER MATERIAL ARE MADE BY 100% VIRGIN MATERIAL.

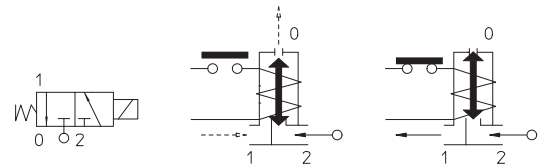
Max. allowable pressure (PS) 40 bar

Ambient temperature:

See coils catalogue page for its compatibility



| Gaskets | Temperature | | Medium |
|-------------------------|-------------|--------|--|
| V=FKM (fluoroelastomer) | - 10°C | +140°C | Mineral oils (2°E), gasoline gas oil, fuel oils (5°E) |



| Pipe ISO 228/1 | Code | Max viscosity | | Ø mm | Kv l/mn | Power watt | Pressure | | |
|-------------------|----------------|---------------|-----|---------|------------|---------------|----------|----------|--------|
| | | cSt | °E | | | | min | M.O.P.D. | |
| | | | | | | | bar | AC bar | DC bar |
| G 1/8 | 31JL1XP1V12 | 12 | ~ 2 | 1,2* | 1 | 5 | 0 | 15 | - |
| | 31JL1XP1V12-S | | | | | | | | 15 |
| | 31JL1XP1V12-PB | | | | | | | | - |

Note

* 3rd way exhaust= Ø 1,7 mm | Available on request and with minimum quantities.

The "ODE" reserves the right to carry out technical and aesthetic modifications without prior notification.

MATERIALS:

| | |
|--------------------------------|---------------------------------|
| Body | Stainless steel AISI 316 |
| Armature tube | Stainless steel AISI series 300 |
| Fixed core | Stainless steel AISI series 400 |
| Plunger | Stainless steel AISI series 400 |
| Phase displacement ring | Gold plated copper |
| Spring | Stainless steel AISI series 300 |
| Seal | V=FKM |
| Orifice | Stainless steel AISI 316 |

On request:

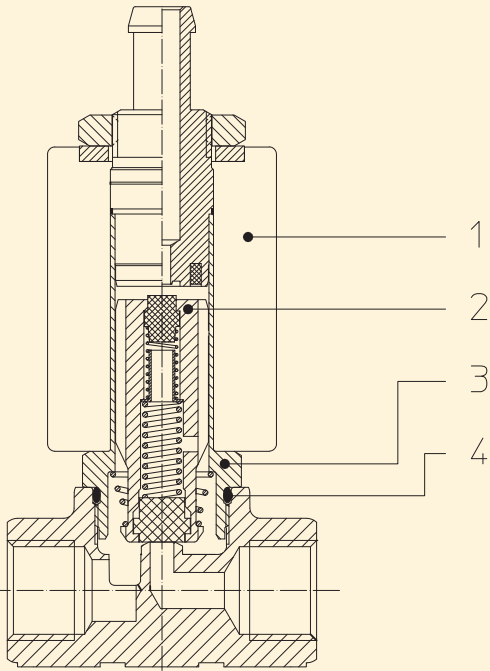
| | |
|-----------------------------|---------------|
| Connector | Pg 9 or Pg 11 |
| Connector conformity | ISO 4400 |

FEATURES:

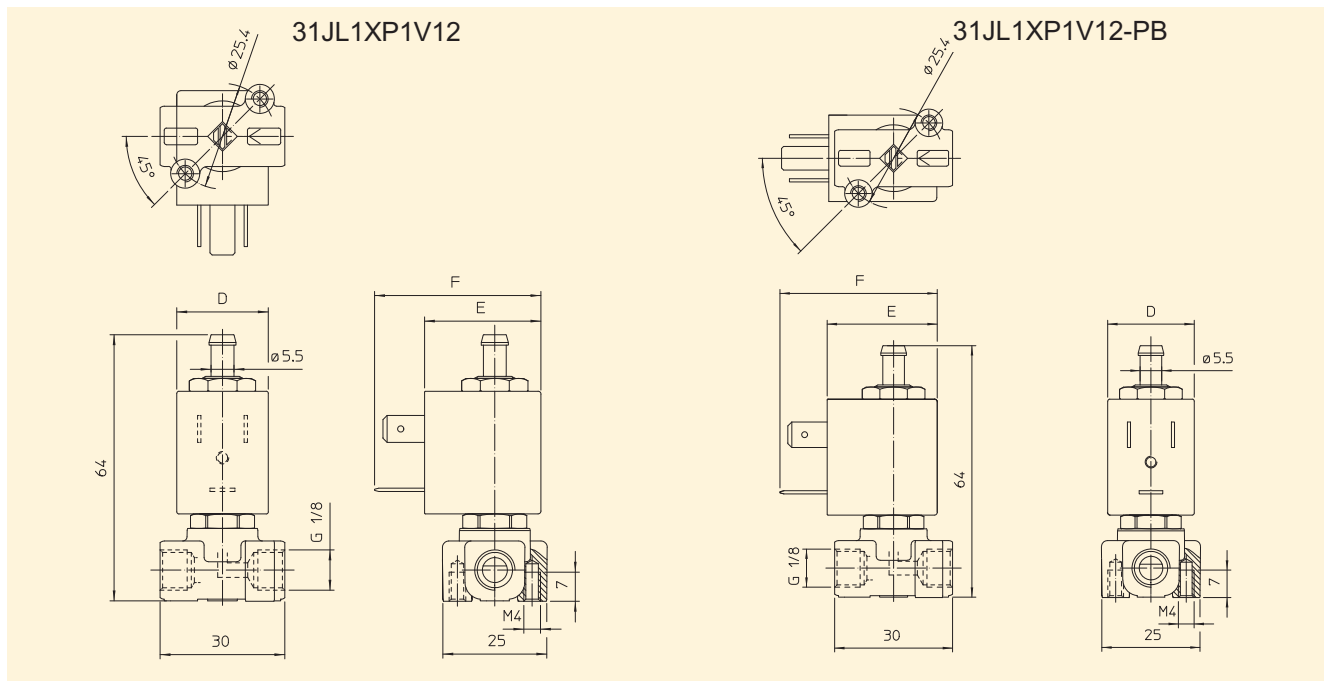
| | |
|------------------------------|--|
| Electrical conformity | IEC 335 |
| Protection degree | IP 65 EN 60529 (DIN 40050) with coil fitted by connector. |

SPARE PARTS:

- Coil:**
See coils list
- Complete plunger:**
Code R453001/VX
- Complete armature tube :**
Code R452999
- Gasket O-Ring:**
Code R990597/VX



DIMENSIONS:



| COIL TYPE | POWER ABSORPTION | | | DIMENSIONS | | |
|-----------|------------------|--------------|----------------|------------|---------|---------|
| | W == | Hold VA ~ | Inrush VA ~ | D mm | E mm | F mm |
| L | 5 | 10 | 15 | 22 | 27,5 | 39,5 |