



# Solenoid valve 2/2 way N.C. With pilot control

21WA3R0B130

÷

21WA4R0B130

## PRESENTATION:

S.V. with pilot control for interception of fluids compatible with the construction materials.

A minimum operational pressure of 0,2 bar is required.

The materials used and the tests carried out ensure maximum reliability and duration.

**USE:** Automation  
Heating

**PIPES:** G 3/8 - G 1/2

**COILS:** 5W - Ø 10  
LBA 155°C (class F)  
LBF - LBV 180°C (class H)

**COIL HOUSING AND COIL FORMER MATERIAL ARE MADE BY 100% VIRGIN MATERIAL.**

Max. allowable pressure (PS) 25 bar

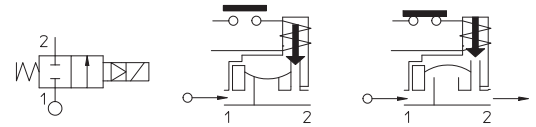
Ambient temperature:

See coils catalogue page for its compatibility.



Gaskets	Temperature		Medium
	- 10°C	+ 90°C	
<b>B</b> =NBR (nitrile rubber)	- 10°C	+ 90°C	Air, inert gas, water
<b>E</b> =EPDM (ethylene-propylene)	- 10°C	+140°C	Water, low pressure steam
<b>V</b> =FKM (fluoroelastomer)	- 10°C	+140°C	Mineral oils (2°E), gasoline gas oil

For seals other than NBR replace the letter "B" with the ones corresponding to the other seals. E.I. 21WA3R0**V**130



Pipe ISO 228/1	Code	Max viscosity		Ø mm	Kv l/mn	Power watt	Pressure		
		cSt	°E				min bar	M.O.P.D.	
								AC bar	DC bar
G 3/8	21WA3R0B130	12	~ 2	13	60	5	0,2	16	16
G 1/2	21WA4R0B130				70				

The "ODE" reserves the right to carry out technical and aesthetic modifications without prior notice.

### MATERIALS:

<b>Body</b>	Brass - UNI EN 12165 CW617N
<b>Armature tube</b>	Stainless steel AISI series 300
<b>Fixed core</b>	Stainless steel AISI series 400
<b>Plunger</b>	Stainless steel AISI series 400
<b>Phase displacement ring</b>	Copper - Cu 99,9%
<b>Spring</b>	Stainless steel AISI series 300
<b>Seal</b>	Standard: B=NBR On request: V=FKM E=EPDM
<b>Orifice</b>	Brass - UNI EN 12165 CW617N

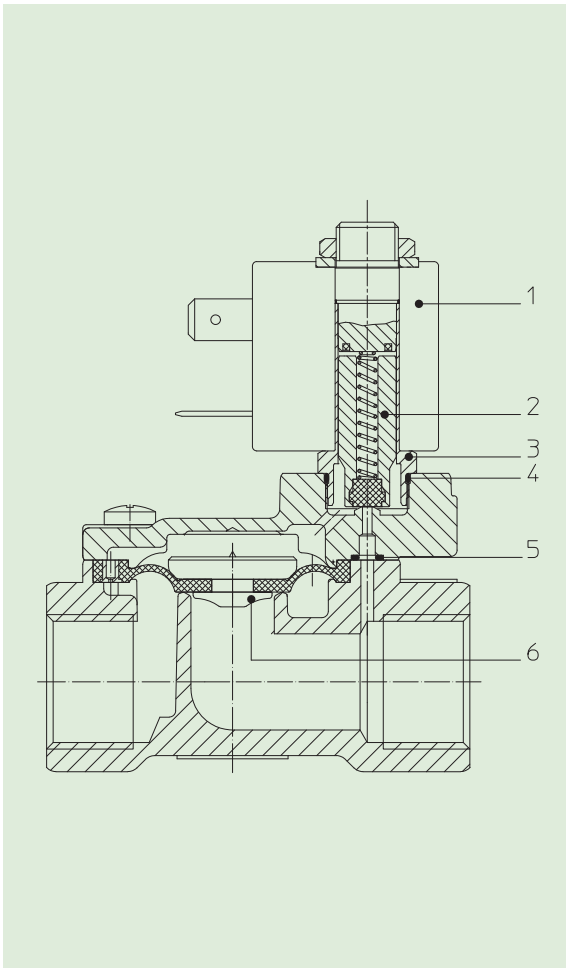
**On request:**  
**Connector** Pg 9 or Pg 11  
**Connector conformity** ISO 4400

### FEATURES:

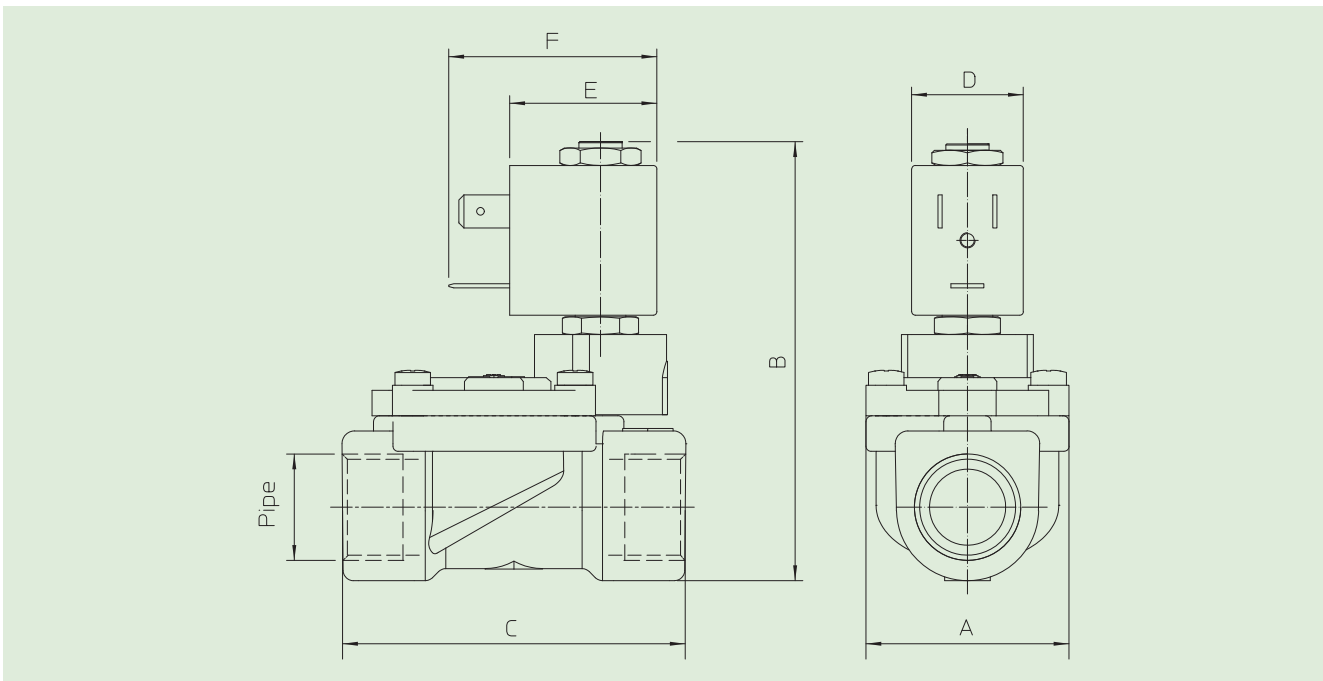
**Electrical conformity** IEC 335  
**Protection degree** IP 65 EN 60529 (DIN 40050)  
 with coil fitted by connector.

### SPARE PARTS:

- |                                   |                |  |
|-----------------------------------|----------------|--|
| <b>1. Coil:</b>                   | See coils list | <b>KIT:</b><br>KT100R0B25-FJ= <b>2+3+4</b> |
| <b>2. Complete plunger:</b>       | Code R453740/B | <b>MAINTENANCE KIT</b>                     |
| <b>3. Complete armature tube:</b> | Code R452062   | KTGWA3R0B13= <b>2+5+6</b>                  |
| <b>4. Gasket O-Ring:</b>          | Code R990597/B |  |
| <b>5. Gasket O-Ring:</b>          | Code R990300/B |  |
| <b>6. Complete diaphragm:</b>     | Code R452186/B |  |



### DIMENSIONS:



Type	Pipe ISO 228/1	A mm	B mm	C mm
21WA3R0B130	G 3/8	40	84,5	60
21WA4R0B130	G 1/2			66

COIL TYPE	POWER ABSORPTION			DIMENSIONS		
	W ---	Hold VA ~	Inrush VA ~	D mm	E mm	F mm
L	5	10	15	22	27,5	39,5