



Solenoid valve 2/2 way N.C. Combined operation

21HT3K0Y110
÷
21HT6K0Y250-S

PRESENTATION:

Combined operation S.V. for interception of fluids compatibles with the construction materials.

Minimum operational pressure is not required.

The materials used and the tests carried out ensure maximum reliability and duration.

USE: Automation, Vacuum packaging
Heating

PIPES: G 3/8 - G 1

COILS:
8W - Ø 13
BDA - BSA 155°C (class F)
BDV 180°C (class H)
12W - Ø 13
UDA 155°C (class F)
14W - Ø 13
GDH - GDV 180°C (class H)

COIL HOUSING AND COIL FORMER MATERIAL ARE MADE BY 100% VIRGIN MATERIAL.

Max. allowable pressure (PS) 16 bar

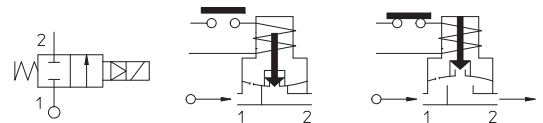
Ambient temperature:

See coils catalogue page for its compatibility.



Gaskets	Temperature		Medium
	- 10°C	+ 90°C	
Y=NBR (nitrile rubber) + PA (polyamide)	- 10°C	+ 90°C	Air, gasoline, fuel oils, inert gas, water
V=FKM+ PA (fluorelastomer+poliamide)	- 10°C	+140°C	Mineral oils (2°E), gasoline gas oil

For seals other than FKM replace the letter "V" with the ones corresponding to the other seals. E.I. 21HT3K0V110.

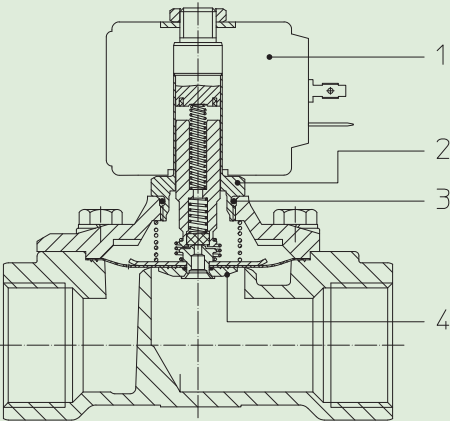
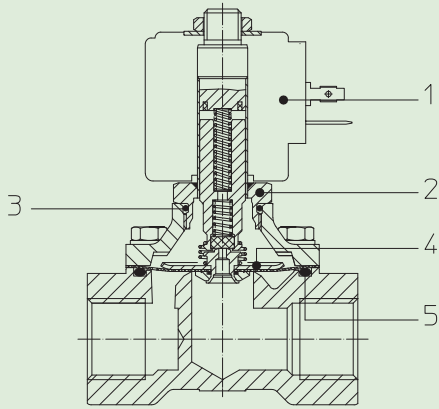


Pipe ISO 228/1	Code	Max viscosity		Ø mm	Kv l/mn	Power watt	Pressure		
		cSt	°E				min bar	M.O.P.D.	
								AC bar	DC bar
G 3/8	21HT3K0Y110 * 21HT3K0Y110-S	12	~ 2	11	20	8	0	14	5
						12			14
						14			14
G 1/2	21HT4K0Y160 * 21HT4K0Y160-S	12	~ 2	16	40	6,5	0	14	2,5
						8			11
						8			14
G 3/4	21HT5K0Y160 * 21HT5K0Y160-S	12	~ 2	16	30	8	0	14	10
						8			1,5
						12			11
G 1	21HT6K0Y250 * 21HT6K0Y250-S	12	~ 2	25	120	8	0	14	1,5
						12			6
						14			1
G 1	21HT6K0Y250 * 21HT6K0Y250-S	12	~ 2	25	90	8	0	-	6
						12			6
						14			12

Note

* For DC only

The "ODE" reserves the right to carry out technical and aesthetic modifications without prior notice.



MATERIALS:

Body	Brass - UNI EN 12165 CW617N
Armature tube	Stainless steel AISI series 300
Fixed core	Stainless steel AISI series 400
Plunger	Stainless steel AISI series 400
Phase displacement ring	Copper - Cu 99,9%
Spring	Stainless steel AISI series 300
Seal	Standard: Y=NBR+PA On request : V=FKM+PA
Orifice	Brass - UNI EN 12165 CW617N
On request:	
Connector	Pg 9 or Pg 11
Connector conformity	ISO 4400

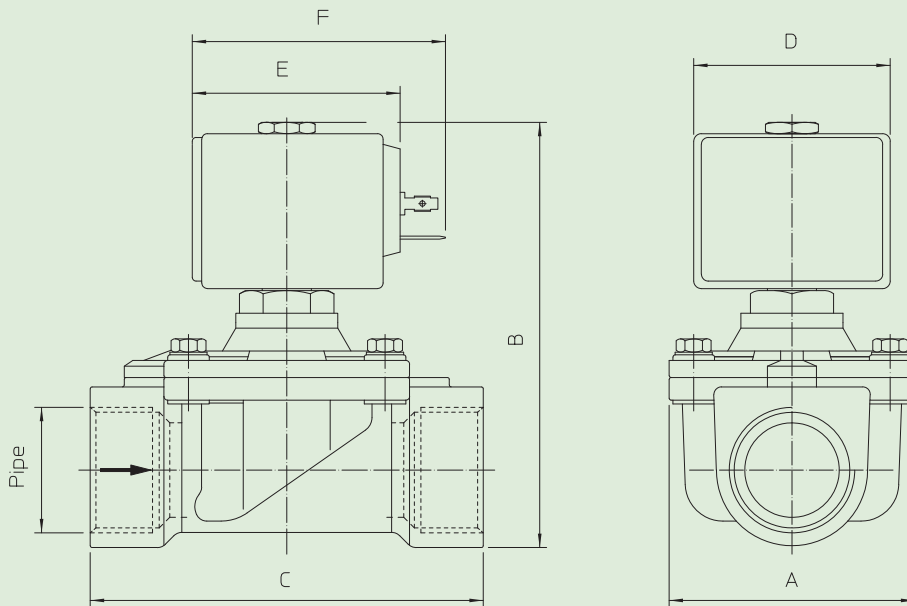
FEATURES:

Electrical conformity	IEC 335
Protection degree	IP 65 EN 60529 (DIN 40050) with coil fitted by connector.

SPARE PARTS:

- | | |
|--|----------------------------|
| 1. Coil: | G 1/2+G 3/4 Code R452125/B |
| See coils list | G 1 see maintenance kit |
| 2. Complete armature tube without gasket: | 5. Gasekt O-Ring : |
| G 3/8+G 1 Code R450603 | G 3/8+G 3/4 Code R990105/B |
| G 1/2 21HT4K0Y160 | |
| Code R450691 | |
| 3. Gasket O-Ring: | MANITENANCE KIT: |
| Code R990000/B | G 3/8 |
| 4. Complete diaphragm with plunger: | KTGHT3K0Y11=4+5 |
| G 3/8 Code R452126/B | G 1/2+G 3/4 |
| | KTGHT4K0Y16=4+5 |
| | G 1 |
| | KTGHT6K0Y25=4 |

DIMENSIONS:



Type	Pipe ISO 228/1	A mm	B mm	C mm
21HT3K0Y110	G 3/8	50	89	56
21HT3K0Y110-S			100	70
21HT4K0Y160	G 1/2	50	100	70
21HT4K0Y160-S			100	70
21HT5K0Y160	G 3/4	50	100	70
21HT5K0Y160-S			100	70
21HT6K0Y250	G 1	65	112	104
21HT6K0Y250-S			112	104

COIL TYPE	POWER ABSORPTION			DIMENSIONS		
	W ≡	Hold VA ~	Inrush VA ~	D mm	E mm	F mm
B	8	14,5	25	30	42	54
U	12	23	35	36	48	60
G	14	27	43	52	55	67