



Solenoid valve 2/2 way N.O. Direct acting

21A3ZV15D
÷
21A2ZV55G

PRESENTATION:

Direct acting S.V. for interception of fluids compatible with the construction materials.

Minimum operational pressure is not required.

The materials used and the tests carried out ensure maximum reliability and duration.

USE: Automation
Heating

PIPES: G 1/8 - G 1/4

COILS: 8W - Ø 13
BDA - BSA 155°C (class F)
BDV 180°C (class H)
12W - Ø 13
UDA 155°C (class F)
14W - Ø 13
GDH - GDV 180°C (class H)

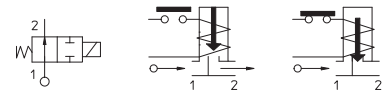
**COIL HOUSING AND COIL FORMER MATERIAL ARE
MADE BY 100% VIRGIN MATERIAL.**



Gaskets	Temperature		Medium
V=FKM (fluoroelastomer)	- 10°C	+140°C	Mineral oils (2°E), gasoline gas oil, fuel oils (7°E)
B=NBR (nitrile rubber)	- 10°C	+ 90°C	Air, inert gas, water

Max. allowable pressure (PS) 40 bar
Ambient temperature:
See coils catalogue page for its compatibility.

For seals other than FKM replace the letter "V" with the ones corresponding to the other seals. E.I. 21A3ZB20D.



Pipe ISO 228/1	Code	Max viscosity		Ø mm	Kv l/mn	Power watt	Pressure		
		cSt	°E				min bar	M.O.P.D.	
								AC bar	DC bar
G 1/8	21A3ZV15D	12	~ 2	1,5	1,4	8	0	25	25
	21A3ZV20D							20	20
	21A3ZV20G	37	~ 5	2	2	12		30	30
	21A3ZV25D					14		14	
	21A3ZV25G	53	~ 7	2,5	3,2	8		14	14
	21A3ZV30D					12		10	10
	21A3ZV30G			14	15	15			
	21A3ZV45D			8	4	4			
	21A3ZV45G			12	6	-			
	14			6	6				
G 1/4	21A2ZV15D	12	~ 2	1,5	1,4	8	0	25	25
	21A2ZV20D							20	20
	21A2ZV20G	37	~ 5	2	2	12		30	30
	21A2ZV25D					14		14	
	21A2ZV25G	53	~ 7	2,5	3,2	8		14	14
	21A2ZV30D					12		17	17
	21A2ZV30G			14	10	10			
	21A2ZV45D			8	4	4			
	21A2ZV45G			12	6	-			
	14			6	6				
	21A2ZV55D	53	~ 7	5,5	9	8		2,5	2,5
	21A2ZV55G					12		3,5	-
	14	14	3,5	3,5					

Note Also available with brass body without lead.

The "ODE" reserves the right to carry out technical and aesthetic modifications without prior notice.

MATERIALS:

Body	Brass - UNI EN 12165 CW617N
Armature tube	Stainless steel AISI series 300
Fixed core	Stainless steel AISI series 400
Plunger	Stainless steel AISI series 400
Phase displacement ring	Copper - Cu 99,9%
Spring	Stainless steel AISI series 300
Seal	Standard: V=FKM On request: B=NBR

Orifice:	
≤ 3 mm	Insert slot Stainless steel AISI series 300
> 3 mm	Brass - UNI EN 12165 CW617N

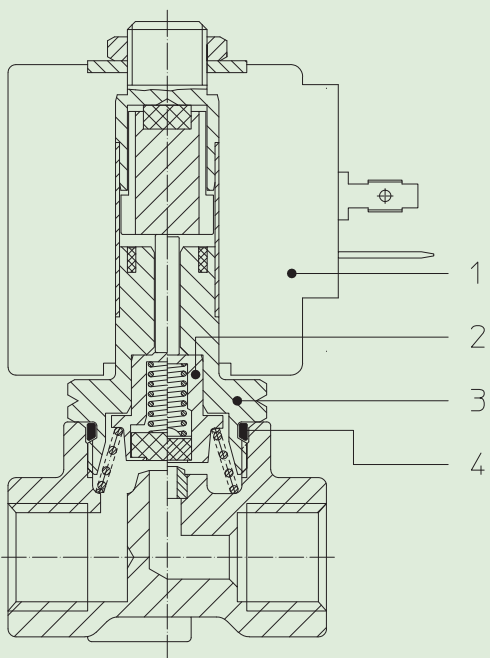
On request:	
Connector	Pg 9 or Pg 11
Connector conformity	ISO 4400

FEATURES:

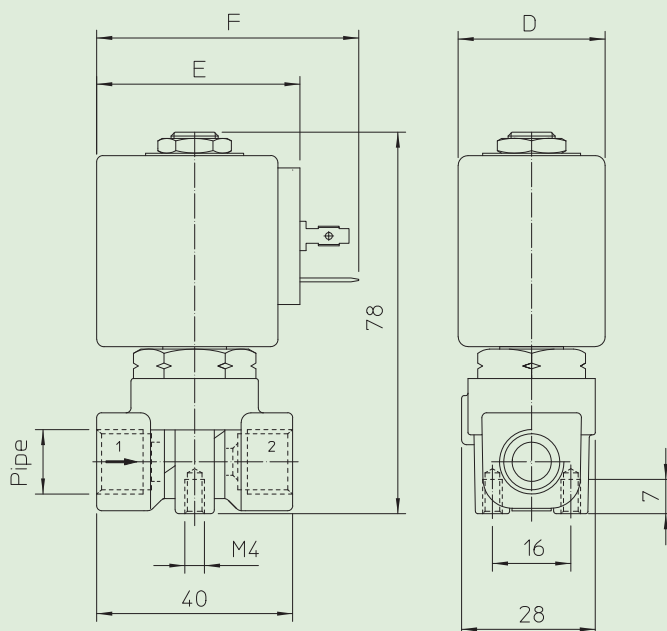
Electrical conformity	IEC 335
Protection degree	IP 65 EN 60529 (DIN 40050) with coil fitted by connector.

SPARE PARTS:

- | | |
|---|---|
| 1. Coil:
See coils list | 4. Gasket O-Ring:
Code R990000/V |
| 2. Complete diaphragm support:
For orifice ≤ 3 mm
8W Code R450788/V
12W - 14W
Code R450788/V14
For orifice > 3 mm
8W Code R450786/V
12W - 14W
Code R450786/V14 | KIT:
Orifice ≤ 3 mm
8W
KT130ZV30-F=2+3+4
12W - 14W
KT130ZV30-G=2+3+4
Orifice > 3 mm
8W
KT130ZV55-F=2+3+4
12W - 14W
KT130ZV55-G=2+3+4 |
| 3. Complete armature tube without gasket:
Code R450573 | |



DIMENSIONS:



Type	Pipe ISO 228/1
21A3ZV	G 1/8
21A2ZV	G 1/4

COIL TYPE	POWER ABSORPTION			DIMENSIONS		
	W ==	Hold VA ~	Inrush VA ~	D mm	E mm	F mm
B	8	14,5	25	30	42	54
U	12	23	35	36	48	60
G	14	27	43	52	55	67